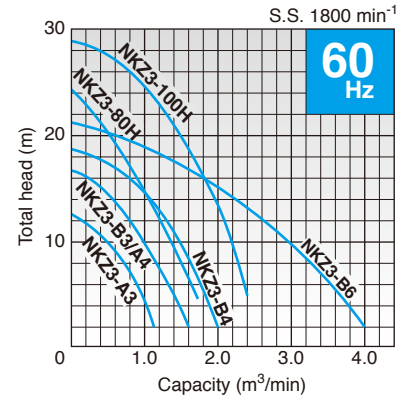
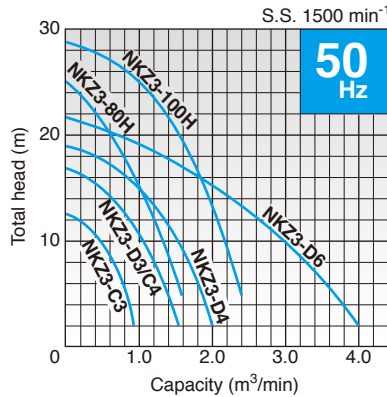




## Performance Curves



## Standard Specifications 50/60Hz

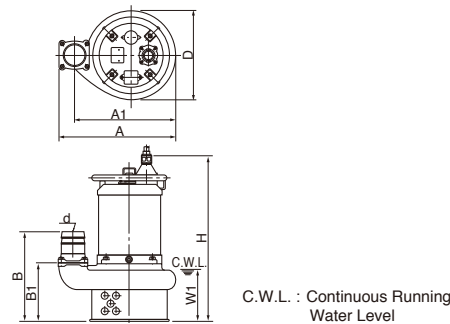
Discharge Bore mm	Model	Motor Output kW	Phase	Total Head m	Capacity m³/min	Starting Method	Dry Weight kgs	Cable Length m
80	NKZ3-C3/A3	2.2	Three-phase	10	0.50	D.O.L.	91	8
80	NKZ3-D3/B3	3.7	Three-phase	15	0.50	D.O.L.	100	8
80	NKZ3-80H	5.5	Three-phase	20	0.55	D.O.L.	132	8
100	NKZ3-C4/A4	3.7	Three-phase	10	1.00	D.O.L.	97	8
100	NKZ3-D4/B4	5.5	Three-phase	15	1.00	D.O.L.	115	8
100	NKZ3-100H	11	Three-phase	25	1.00	D.O.L.	196	8
150	NKZ3-D6/B6	11	Three-phase	15	2.00	D.O.L.	192	8

\* Dry weight excluding cable

## Major Standard Specifications

Item	Discharge bore size mm			
	80	100	150	
Pumping fluid	Type of fluid	Sludge, various types of slurry, liquid containing sandy mud		
	Fluid temperature	0~40°C		
	Structure	Impeller	Semi-open	
Pump	Shaft seal	Double mechanical seal		
	Bearing	Shielded ball bearing		
	Materials	Impeller	Ductile iron casting Chromium iron casting (H type)	
		Casing	Grey iron casting	
		Suction cover	Grey iron casting Ductile iron casting (H type)	
		Shaft seal (mechanical seal)	Silicon carbide	
Motor	Type, Poles	Dry-type submersible induction motor, 4 poles		
	Insulation	Class E - B		
	Phase / Voltage	Three-phase/ 220V, 380V, 400V, 415V, 440V, 460V		
	Motor protector (Built-in)	Circle thermal protector		
	Lubricant	Turbine oil (ISO VG32)		
	Materials	Frame	Grey iron casting	
		Shaft	Stainless steel #420	
Cable		Chloroprene rubber		
Discharge connection	Hose coupling			

## Dimensions Unit: mm



Model	d	A	A1	B	B1	D	H	W1
NKZ3-C3/A3	80	467	405	371	249	370	664	225
NKZ3-D3/B3	80	467	405	371	249	370	709	225
NKZ3-80H	80	491	430	387	264	401	754	220
NKZ3-C4/A4	100	467	405	386	249	370	709	225
NKZ3-D4/B4	100	485	424	382	245	380	715	220
NKZ3-100H	100	547	486	422	284	414	841	240
NKZ3-D6/B6	150	620	520	458	266	450	798	240

## Specific Installation

(Contact your nearest dealer for more information)

### Guide Rail Fitting System

The guide rail fitting system connects the pump to and from the piping easily just by lowering and hoisting the pump, allowing easy maintenance and inspection without the need to enter the pit.

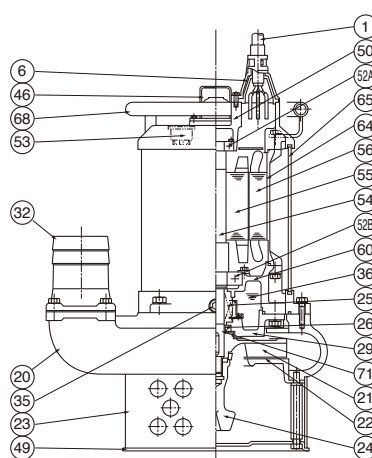


## Standard Accessory

- Hose coupling ..... 1pc.



## Cross-Section



NO.	DESCRIPTIONS	NO.	DESCRIPTIONS
1	Cable	49	Bottom Plate
6	Stuffing Box	50	Motor Bracket
20	Pump Casing	52A	Upper Bearing
21	Impeller	52B	Lower Bearing
22	Suction Cover	53	Motor Protector
23	Strainer Stand	54	Shaft
24	Agitator	55	Rotor
25	Mechanical Seal	56	Stator
26	Oil Seal	60	Bearing Housing
29	Oil Casing	64	Motor Frame
32	Hose Coupling	65	Outer Cover
35	Oil Plug	68	Handle
36	Lubricant	71	Shaft Sleeve

• Oil Lifter is not illustrated.