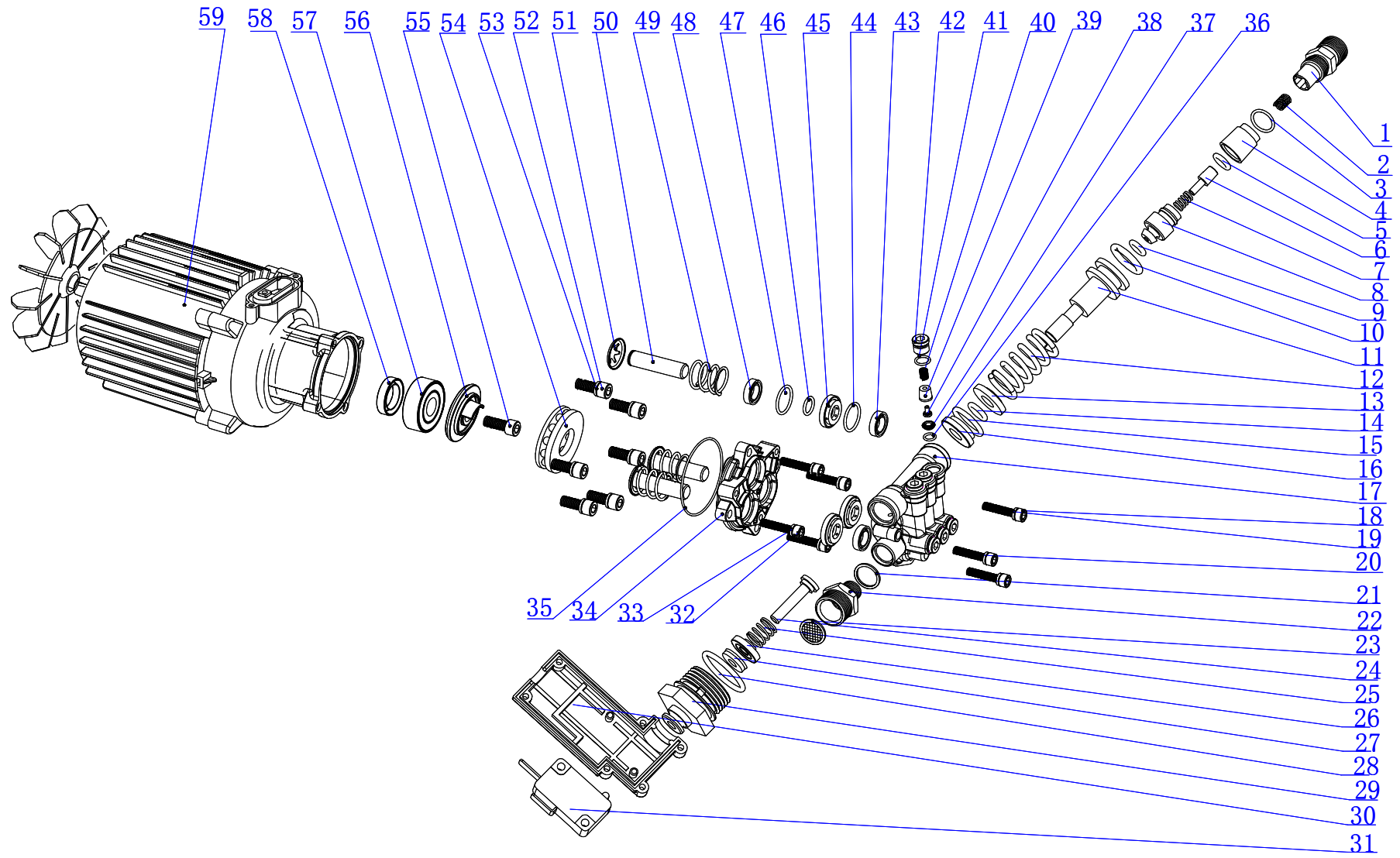
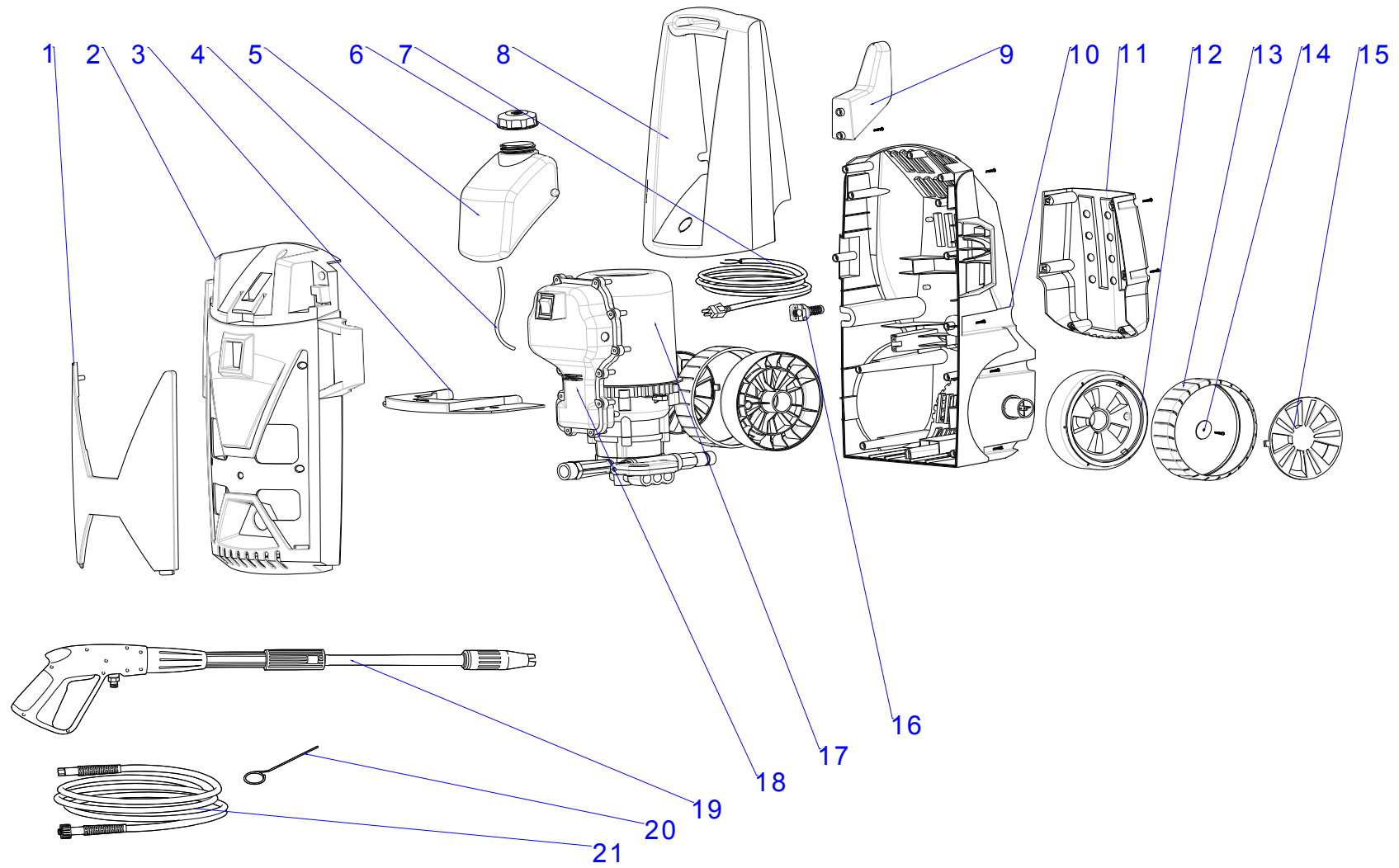


HW-1351 Explosion Diagram Part1



Item No.	Part No.	Description	Unit	Unit Price
1	HW-073	water outlet joint出水接头	Pcs	340
2	HW-074	SPRING弹簧0.6X10.5X4.5X12	Pcs	50
3	HW-075	O-Ring, $\Phi 22 \times 2.4$ mm	Pcs	30
4	HW-076	VALVE CORE BLOCKING阀芯端盖	Pcs	-
5	HW-077	O-Ring, $\Phi 5 \times 1.8$ mm	Pcs	-
6	HW-078	VALVE CORE阀芯	Pcs	100
7	HW-079	VALVE CORE SPRING阀芯弹簧	Pcs	-
8	HW-080	VALVE JACKET阀套	Pcs	-
9	HW-081	O-Ring, $\Phi 4.5 \times 1.8$ mm	Pcs	-
10	HW-082	O-Ring, 16×2.4 mm	Pcs	-
11	HW-083	PISTON活塞	Pcs	-
12	HW-084	PISTON SPRING活塞弹簧	Pcs	-
13	HW-085	PISTON SEAT弹簧座	Pcs	180
14	HW-086	O-Ring, $\Phi 5.6 \times 1.8$ mm	Pcs	-
15	HW-087	O-Ring, $\Phi 12 \times 1.8$ mm	Pcs	-
16	HW-088	valve seat阀座	Pcs	-
17	HW-089	PUMP HEAD泵头	Pcs	290
18,32	HW-090	SCREW INTERNAL HEXAGONAL内六角螺钉M6X25-8.8	Pcs	30
19,33,53	HW-178	SPRING GASKET弹簧垫圈 $\Phi 6$	Pcs	30
20	HW-092	SCREW INTERNAL HEXAGONAL内六角螺钉M6X35-8.8	Pcs	30
21	HW-075	O-Ring, $\Phi 22 \times 2.4$ mm	Pcs	30
22	HW-094	Aluminium WATER INLET JOINT进水接头	Pcs	210
23	HW-095	Strainer滤网	Pcs	30
24	HW-096	HANDSPIKE OF SWITCH开关顶杆	Pcs	-
25	HW-097	SPRING OF HANDSPIKE顶杆弹簧	Pcs	-
26	HW-098	GASKET OF CONNECTING NUT连接螺帽挡圈	Pcs	-
27	HW-099	V-RINGV型密封圈	Pcs	-
28	HW-100	O-Ring, $\Phi 22 \times 1.9$ mm (24~31)	Pcs	280
29	HW-101	CONNECTING NUT连接螺帽	Pcs	-
30	HW-102	COVER OF MICROSWITCH开关左右壳	Pcs	-
31	HW-103	microswitch微动开关	Pcs	-
34	HW-106	PUMP BODY泵体	Pcs	220
35	HW-037	O-Ring, $\Phi 58 \times 2.65$ mm	Pcs	50
36	HW-108	O-Ring, $\Phi 10 \times 1.5$ mm	Pcs	30
37	HW-109	INLET&OUTLET VALVE SEAT进出水阀座	Pcs	-
38	HW-110	INLET&OUTLET VALVE CORE进出水阀芯	Pcs	-
39	HW-111	INLET&OUTLET VALVE进出水阀体	Pcs	80
40	HW-112	INLET&OUTLET VALVE SPRING进出水阀弹簧	Pcs	-
41	HW-113	O-Ring, $\Phi 12 \times 1.9$ mm	Pcs	30
42	HW-114	INLET&OUTLET VALVE CAP进出水阀帽	Pcs	50
43	HW-115	Y-RING Y型密封圈12X20X5	Pcs	50
44	HW-116	O-Ring, $\Phi 24 \times 1.9$ mm	Pcs	30
45	HW-117	Middle sets中间套	Pcs	80
46	HW-118	O-Ring, $\Phi 16 \times 1.9$ mm	Pcs	30
47	HW-119	MIDDLE SET中间隔套	Pcs	30
48	HW-120	SKELETON SEAL骨架油封12x20x4	Pcs	60
49	HW-121	plunger spring柱塞弹簧	Pcs	60
50	HW-122	PLUNGER柱塞	Pcs	210
51	HW-123	plunger clip柱塞卡簧	Pcs	60
52	HW-211	SCREW INTERNAL HEXAGONAL内六角螺钉M6X30	Pcs	30
54	HW-124	Thrust ball bearings推力球轴承51107B	Pcs	280
55	HW-214	SCREW INTERNAL HEXAGONAL内六角螺钉M8X25	Pcs	30
56	HW-126	Bearings seat轴承座	Pcs	130
57	HW-127	BEARING轴承6302	Pcs	220
58	HW-128	SEAL油封18X28X5	Pcs	60
59	HW-218	INDUCTION MOTOR感应电机	Pcs	2,790

HW-1351 Explosion Diagram Part 2



Item No.	Part No.	Description	Unit	Unit Price
1	HW-219	PLATE装饰板	Pcs	130
2	HW-220	FRONT COVER上壳	Pcs	370
3	HW-221	INSULATION BOARD隔热板	Pcs	130
4	HW-222	PIPE TO SOAP BOTTLE吸液管	Pcs	130
5	HW-223	soap bottle built inside水壶	Pcs	180
6	HW-224	cap of soap bottle built inside水壶盖	Pcs	20
7	HW-225	CABLE电缆线	Pcs	510
8	HW-226	HANDLE拉手	Pcs	310
9	HW-227	HOSE HOOK胶管挂钩	Pcs	110
10	HW-228	BACK COVER下壳	Pcs	360
11	HW-229	ACCESSORIES STORAGE 附件框	Pcs	160
12	HW-230	WHEEL轮子 (12~15)	Pcs	290
13	HW-231	RUBBER OF WHEEL轮子包胶	Pcs	-
14	HW-232	FIXED PART OF WHEEL轮子固定片	Pcs	-
15	HW-233	COVER OF WHEEL轮盖	Pcs	-
16	HW-234	CABLE JACKET线卡	Pcs	30
17	HW-235	MOTOR COVER电机导风罩	Pcs	210
18	HW-236	JUNCTION BOX接线盒	Pcs	210
19	HW-237	SPRAY GUN AG175	Pcs	580
20	HW-238	CLEANING PIN清洁针	Pcs	30
21	HW-075	HOSE高压出水管	Pcs	580