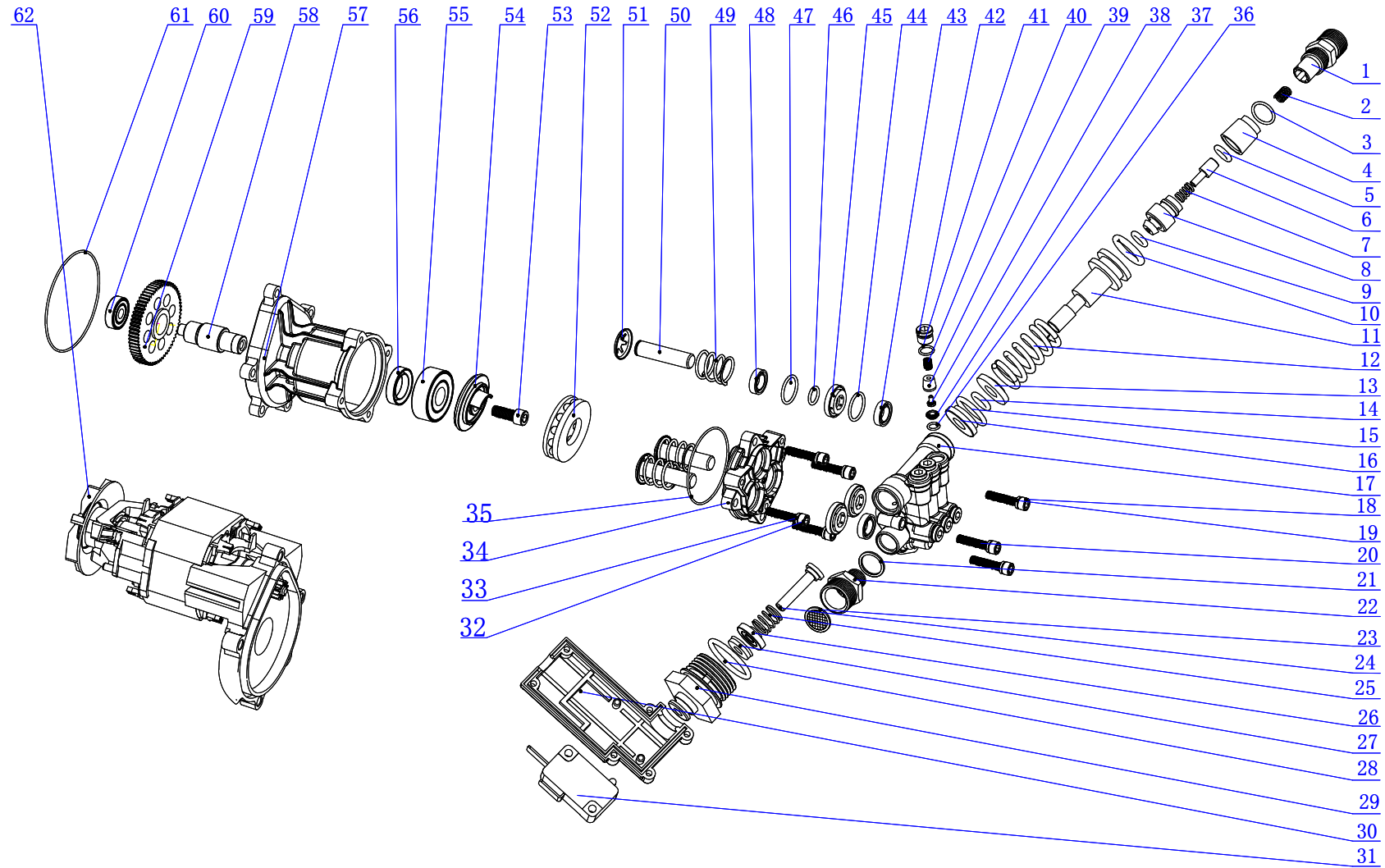
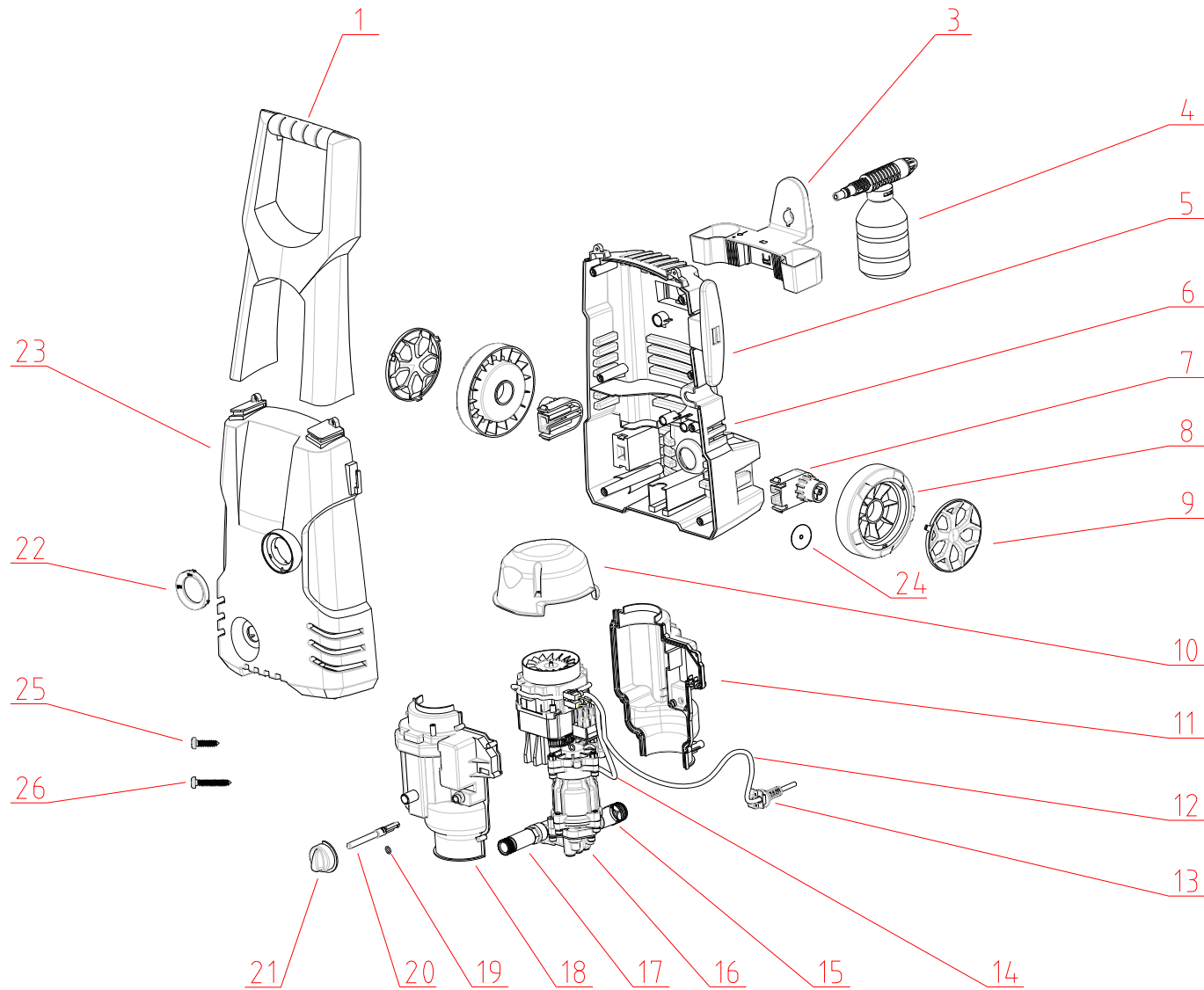


HW-1350 Explosion Diagram Part1



Item No.	Part No.	Description	Unit	Unit Price
1	HW-073	water outlet joint出水接头	Pcs	300
2	HW-074	spring 弹簧0.6×10.5×4.5×12	Pcs	30
3	HW-075	o-ring O形密封圈22×2.4	Pcs	30
4	HW-076	VALVE CORE BLOCKING 阀芯端盖	Pcs	-
5	HW-077	o-ring O形密封圈5×1.8	Pcs	-
6	HW-078	valve core 阀芯	Pcs	-
7	HW-079	valve core spring 阀芯弹簧	Pcs	70
8	HW-080	VALVE JACKET 阀套	Pcs	-
9	HW-004	o-ring O形密封圈4.5×1.8	Pcs	-
10	HW-082	o-ring O形密封圈16×2.4	Pcs	30
11	HW-083	piston 活塞	Pcs	-
12	HW-084	piston spring 活塞弹簧	Pcs	-
13	HW-085	piston seat 弹簧座	Pcs	-
14	HW-086	o-ring O形密封圈5.6×1.8	Pcs	-
15	HW-087	o-ring O形密封圈12×1.8	Pcs	-
16	HW-088	valve seat 阀座	Pcs	-
17	HW-089	pump head 泵头	Pcs	300
18,32	HW-090	Screw Internal hexagonal 内六角螺钉M6×25	Pcs	30
19,33	HW-091	spring washer 弹簧垫圈φ6	Pcs	30
20	HW-092	Screw Internal hexagonal 内六角螺钉M6×35	Pcs	30
21	HW-093	o-ring O形密封圈18×2.4	Pcs	30
22	HW-094	aluminium water Inlet joint 进水接头	Pcs	160
23	HW-095	Strainer 滤网	Pcs	30
24	HW-096	Handspike of pressure switch 开关顶杆	Pcs	-
25	HW-097	Spring of elbow 顶杆弹簧	Pcs	-
26	HW-098	GASKET OF CONNECTING NUT 连接螺帽挡圈	Pcs	-
27	HW-099	v-ring V形密封圈	Pcs	-
28	HW-100	o-ring O形密封圈22×1.9	Pcs	260
29	HW-101	Connecting nut 连接螺帽	Pcs	-
30	HW-102	Switching around shell 开关左右壳	Pcs	-
31	HW-103	micro switch 微动开关	Pcs	-
34	HW-106	PUMP BODY 泵体	Pcs	220
35	HW-037	o-ring O形密封圈58×2.65	Pcs	50
36	HW-108	o-ring O形密封圈10×1.5	Pcs	30
37	HW-109	Inlet&outlet valve seat 进出水阀座	Pcs	-
38	HW-110	Inlet&outlet valve core 进出水阀芯	Pcs	-
39	HW-111	nlet&outlet valve 进出水阀体	Pcs	60
40	HW-112	nlet&outlet valve spring 进出水阀弹簧	Pcs	-
41	HW-113	o-ring O形密封圈12×1.9	Pcs	30
42	HW-114	nlet&outlet valve cap 进出水阀帽	Pcs	50
43	HW-115	y-righ Y形密封圈12×18×4	Pcs	50
44	HW-116	o-ring O形密封圈24×1.9	Pcs	30
45	HW-117	Middle sets 中间套	Pcs	60
46	HW-118	o-ring O形密封圈16×1.94	Pcs	30
47	HW-119	MIDDLE SET 中间隔套	Pcs	30
48	HW-120	Skeleton SEAL 骨架油封12×20×4	Pcs	50
49	HW-121	Plunger spring 柱塞弹簧	Pcs	30
50	HW-122	Plunger 柱塞	Pcs	160
51	HW-123	plunger clip 柱塞卡簧	Pcs	30
52	HW-124	Thrust ball bearings 推力球轴承51107B	Pcs	240
53	HW-125	Screw Internal hexagonal 内六角螺钉M8×20	Pcs	30
54	HW-126	Bearings seat 轴承座	Pcs	110
55	HW-127	Bearings 轴承6302	Pcs	230
56	HW-128	seal 油封 20x30x9	Pcs	90
57	HW-129	connection base 连接座	Pcs	270
58	HW-130	gear bearing 齿轮传动轴	Pcs	220
59	HW-131	big gear 大齿轮	Pcs	160
60	HW-132	bearing 轴承629	Pcs	180
61	HW-133	o-ring O型密封圈 65x1.8	Pcs	60
62	HW-134	motor 电机	Pcs	1,580

HW-1350 Explosion Diagram Part 2



Item No.	Part No.	Description	Unit	Unit Price
1	HW-135	long handle 长拉手	Pcs	240
3	HW-136	hose holder 水管挂钩	Pcs	180
4	HW-137	soap bottle 水壶组件	Pcs	140
5	HW-138	cable holder 绕线架	Pcs	130
6	HW-139	back cover 底壳	Pcs	420
7	HW-140	wheel bearing 轮轴	Pcs	160
8	HW-141	wheel 轮子+轮盖	Pcs	280
9	HW-142	wheel cover 轮盖	Pcs	160
10	HW-143	water proof cover 防水帽	Pcs	210
11	HW-144	down motor house 下电机罩	Pcs	180
12	HW-145	cable 电源线	Pcs	460
13	HW-146	cable protector 电源线塑料护套	Pcs	30
14	HW-147	microswich cable 停水开关线	Pcs	200
15	HW-148	inlet connector 进水接头	Pcs	100
16	HW-149	motor 电机组件	Pcs	3,220
17	HW-150	outlet connector 出水接头	Pcs	200
18	HW-151	upper motor cover 上电机罩	Pcs	180
19	HW-152	o-ring O型圈11*1.9	Pcs	30
20	HW-153	swich panel 开关传动杆	Pcs	50
21	HW-154	rotary swcich 旋钮开关	Pcs	30
22	HW-155	swich panel 开关装饰板	Pcs	30
23	HW-156	upper cover 上壳	Pcs	330
24	HW-157	Castor gasket	Pcs	30
25	HW-158	Phillipssupplied pan-head screws 4*16	Pcs	30
26	HW-159	Phillipssupplied pan-head screws 4*25	Pcs	30