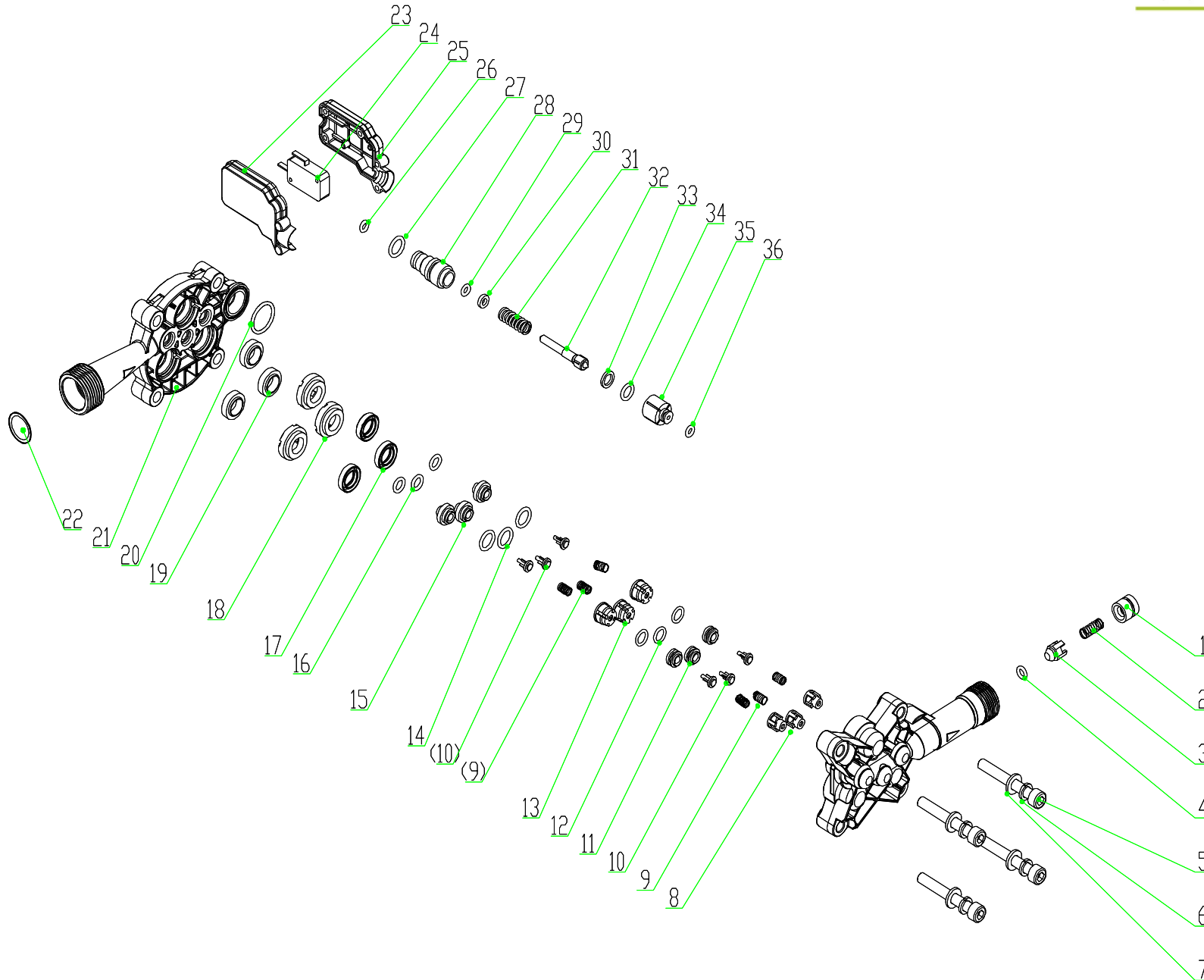
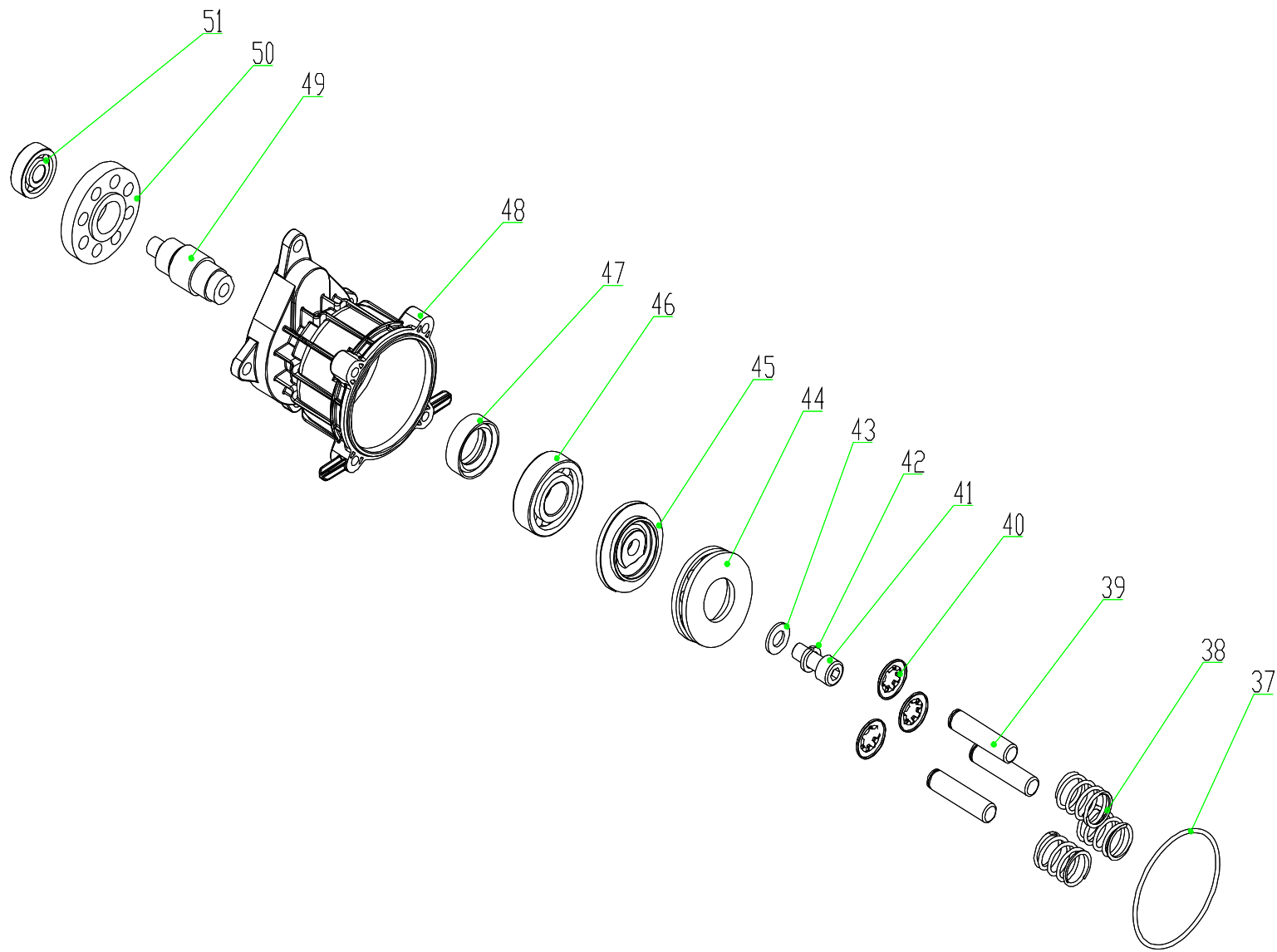


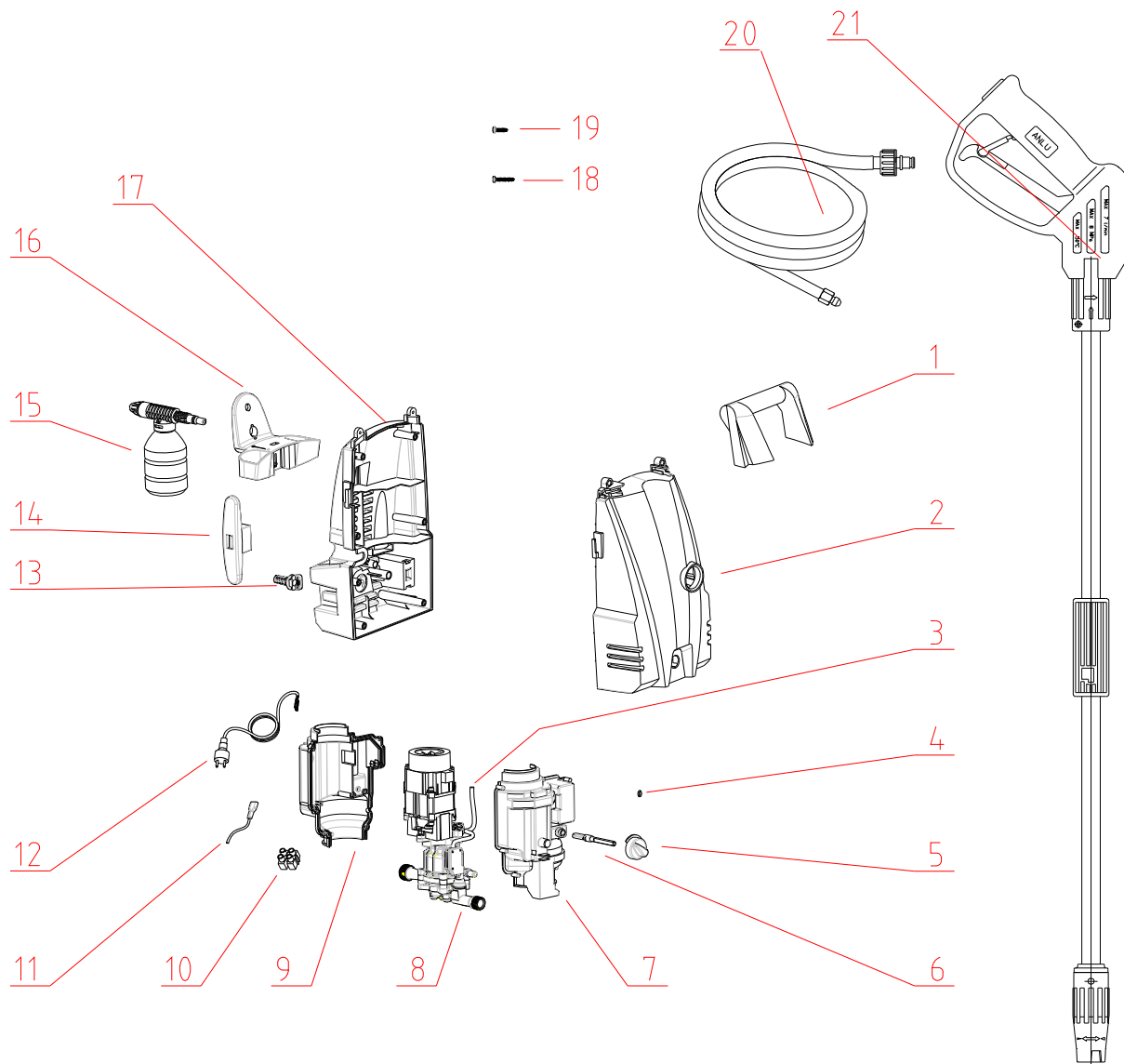
HW-1050 Explosion Diagram Part1





Item No.	Part No.	Description	Unit	Unit Price
1	HW-001	Blocking保压阀堵头	Pcs	30
2	HW-002	valve spring保压阀弹簧	Pcs	30
3	HW-003	Valve Core保压阀芯	Pcs	30
4	HW-004	O-RING O形密封圈4.5 (内径) x1.8	Pcs	30
5	HW-005	screw Internal Hexagonal内六角螺钉M6x45	Pcs	30
6	HW-006	spring gasket弹簧垫圈 6	Pcs	30
7	HW-007	gasket平垫圈 6	Pcs	30
8	HW-008	inlet&outlet valve coer出水单向阀罩	Pcs	-
9	HW-009	Non-returning valve spring单向阀弹簧	Pcs	60
10	HW-010	Non-returnig valve core单向阀芯	Pcs	-
11	HW-011	valve seat出水单向阀座	Pcs	-
12	HW-012	o-Ring O形密封圈6.5 (内径) x1.5	Pcs	30
13	HW-013	valve cover进水单向阀罩	Pcs	30
14	HW-014	o-ring O形密封圈8.5 (内径) x1.8	Pcs	30
15	HW-015	inlet water valve seat进水单向阀座	Pcs	30
16	HW-016	o-ring O形密封圈6 (内径) x1.8	Pcs	30
17	HW-017	Y-ring Y形密封圈10X16x4	Pcs	50
18	HW-018	in the interval set中间套	Pcs	60
19	HW-019	skeleton seal骨架油封16X10x4	Pcs	50
20	HW-020	o-ring O形密封圈16 (内径) x1.8	Pcs	30
21	HW-021	peump body泵体	Pcs	190
22	HW-022	filter进水滤网	Pcs	30
23	HW-023	micro-swich RIGHT cover右微动开关盒	Pcs	40
24	HW-024	micro-swich微动开关	Pcs	140
25	HW-025	micro-swich LEFT cover左微动开关盒	Pcs	40
26,29	HW-026	o-ring O形密封圈3.75 (内径) x1.8 (硬度70HS)	Pcs	30
27	HW-027	o-ring O形密封圈13 (外径) x1.9	Pcs	30
28	HW-028	valve cap溢流阀罩	Pcs	30
30	HW-030	gasket挡圈1	Pcs	30
31	HW-031	valve spring卸荷阀弹簧	Pcs	30
32	HW-032	valve core溢流阀芯	Pcs	30
33	HW-033	gasket挡圈2	Pcs	30
34	HW-034	o-ring O形密封圈7.1 (内径) x1.8 (硬度95HS)	Pcs	30
35	HW-035	valve溢流阀套	Pcs	30
36	HW-036	o-ring O形密封圈3.75 (内径) x1.8 (硬度80HS)	Pcs	30
37	HW-037	o-ring O形密封圈58 (内径) x2.65	Pcs	50
38	HW-038	PLUNGER spring柱塞弹簧	Pcs	30
39	HW-039	PLUNGER柱塞	Pcs	140
40	HW-040	PLUNGER CLIP柱塞卡簧	Pcs	30
41	HW-041	screw internal Hexagonal内六角螺钉M8x20	Pcs	30
42	HW-042	spring gasket弹簧垫圈 8	Pcs	30
43	HW-043	gasket平垫圈 8	Pcs	30
44	HW-044	bearing推力球轴承51106A	Pcs	200
45	HW-045	bearing seat轴承座	Pcs	100
46	HW-046	bearing深沟球轴承6203-2RS	Pcs	170
47	HW-047	Reinforced seal骨架油封30X20x9	Pcs	90
48	HW-048	connecting seat连接座	Pcs	230
49	HW-049	gear shaft齿轮传动轴	Pcs	160
50	HW-050	big gear大齿轮50	Pcs	160
51	HW-051	BEARING深沟球轴承629-2Z	Pcs	180

HW-1050 Explosion Diagram Part 2



Item No.	Part No.	Description	Unit	Unit Price
1	HW-052	short handle短拉手	Pcs	210
2	HW-053	up cover上壳	Pcs	250
3	HW-054	micro-swich WIRE 停水开关线	Pcs	200
4	HW-055	O-ring O型圈8*1.9	Pcs	30
5	HW-056	SWITCH开关旋钮	Pcs	30
6	HW-057	swich shaft开关传动轴	Pcs	30
7	HW-058	left motor cover左电机罩	Pcs	150
8	HW-059	motor-pump set电机泵组件	Pcs	2,590
9	HW-060	right motor cover右电机罩	Pcs	150
10	HW-061	TERMINAL BLOCK接线柱	Pcs	60
11	HW-062	MOTOR LEADNING WIRE电机引线	Pcs	30
12	HW-063	CABLE电源线	Pcs	370
13	HW-064	CABLE JACKET电源线塑料护套	Pcs	30
14	HW-065	CABLE HOOK绕线机	Pcs	80
15	HW-066	SOAP BOTTLE吸液壶组件	Pcs	170
16	HW-067	ACCESSORY HOLDER附件架	Pcs	160
17	HW-068	BACK COVER底壳	Pcs	250
18	HW-069	SCREW十字槽盼头螺钉ST4X16	Pcs	30
19	HW-070	SCREW十字槽盼头螺钉ST4X25	Pcs	30
20	HW-071	HOSE出水管	Pcs	580
21	HW-072	SPRAY GUN AG1175	Pcs	540