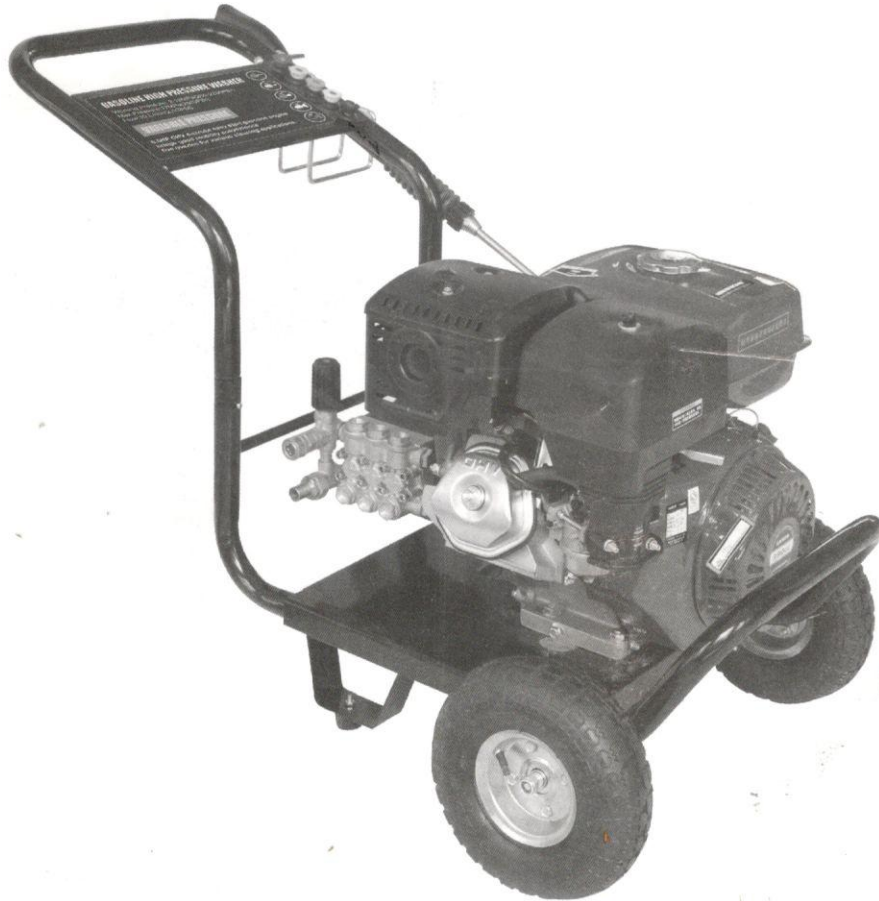
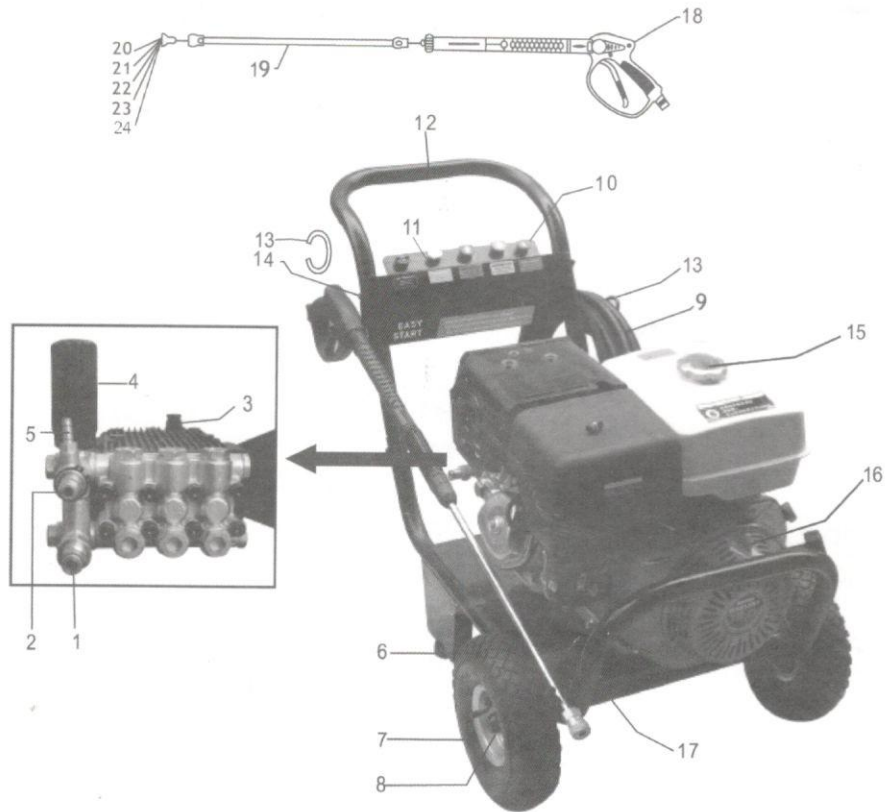


# **GASOLINE ENGINE PREMIUM PRESSURE WASHER**



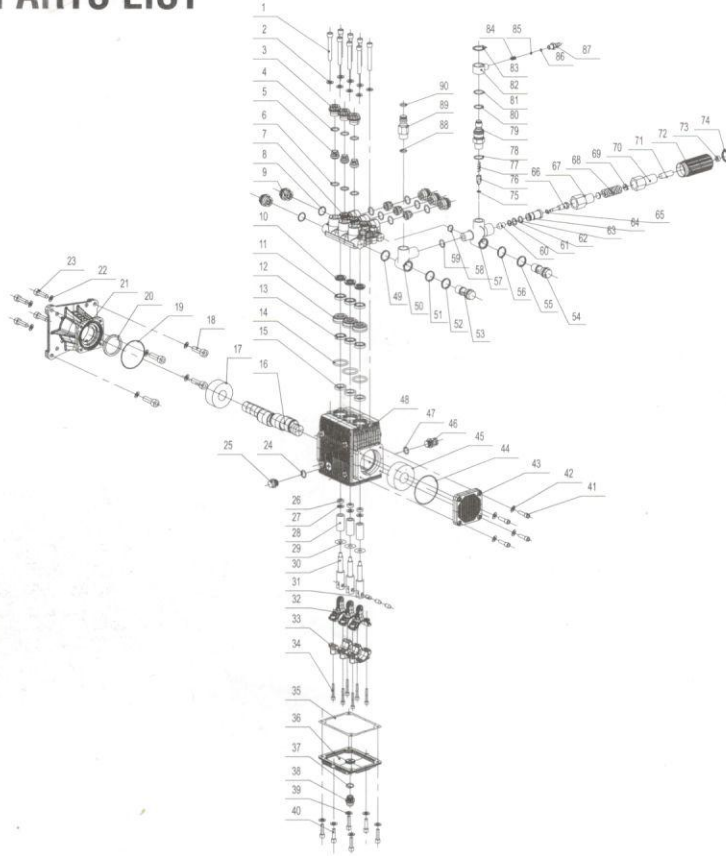
**Instruction Manual**

# GENERAL PARTS LIST



- |                          |                              |
|--------------------------|------------------------------|
| 1. Water inlet           | 13. Grommet                  |
| 2. Water Outlet          | 14. Bolt                     |
| 3. Pump oil tank cap     | 15. Engine gasoline tank cap |
| 4. Pressure regulator    | 16. Engine                   |
| 5. Detergent pipe inlet  | 17. Carriage                 |
| 6. Rubber foot           | 18. Gun assy.                |
| 7. Wheel                 | 19. Wand                     |
| 8. Axis cap              | 20. Nozzle black             |
| 9. Pressure outlet hose  | 21. Nozzle red               |
| 10. Spray nozzle         | 22. Nozzle yellow            |
| 11. Nozzle rubber holder | 23. Nozzle White             |
| 12. Handle               | 24. Nozzle Green             |

# PUMP PARTS LIST



No.	Name	Qty	No.	Name	Qty	No.	Name	Qty	No.	Name	Qty	No.	Name	Qty
1	Bolt	8	19	O-ring	1	37	O-ring	1	55	O-ring	1	73	Nut	1
2	Washer	8	20	Frame oil seal	1	38	Oil plug	1	56	O-ring	2	74	Regulator handle cover	1
3	Valve cap	6	21	Connection base	1	39	Washer	6	57	Cross connector	1	75	O-ring	1
4	O-ring	6	22	Spring washer	4	40	Bolt	6	58	O-ring	1	76	Bypass valve	1
5	Inlet valve	6	23	Bolt	4	41	Bolt	4	59	O-ring	1	77	Bypass spring	1
6	O-ring	6	24	O-ring	1	42	Washer	4	60	Regulating valve	1	78	O-ring	1
7	copper pump body	1	25	Oil plug	1	43	Crankcase small cover	1	61	O-ring	1	79	Outlet connector	1
8	O-ring	2	26	Nut	3	44	O-ring	1	62	O-ring	1	80	O-ring	1
9	Stopper	2	27	Flat washer	3	45	Bearing	1	63	O-ring	1	81	O-ring	1
10	Flat washer	3	28	Ceramic plunger	3	46	Vent plug	1	64	Valve core frame	1	82	Revolvable connector	1
11	water seal	3	29	Copper washer	3	47	O-ring	1	65	O-ring	1	83	Axis spring clip	1
12	Middle sleeve	3	30	Plunger core	3	48	Crankcase	1	66	Regulating valve core	1	84	Tower spring	1
13	Water Seal PD18	3	31	Column pin	3	49	O-ring	1	67	Copper connector	1	85	Steel ball	1
14	O-ring	3	32	Connection shaft	3	50	Cross connector	1	68	Regulating spring	1	86	O-ring	1
15	Oil seal	3	33	Connection shaft base	3	51	O-ring	1	69	Regulating spring washer	2	87	Detergent pipe inlet	1
16	Shaft	1	34	Bolt	6	52	O-ring	1	70	Regulator cover	1	88	O-ring	1
17	Bearing	1	35	Crankcase washer	1	53	Inlet connector I	1	71	Bolt	1	89	Inlet connector	1
18	Bolt	4	36	Crankcase big cover	1	54	Inlet connector	1	72	Regulator handle	1	90	O-ring	1