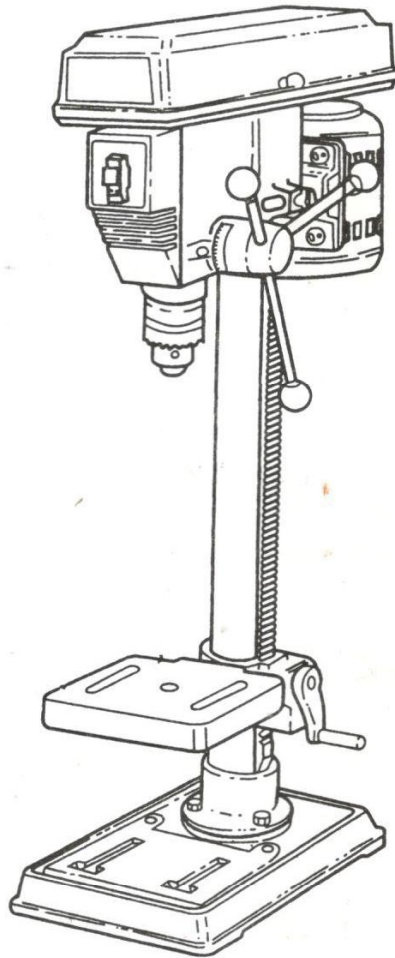
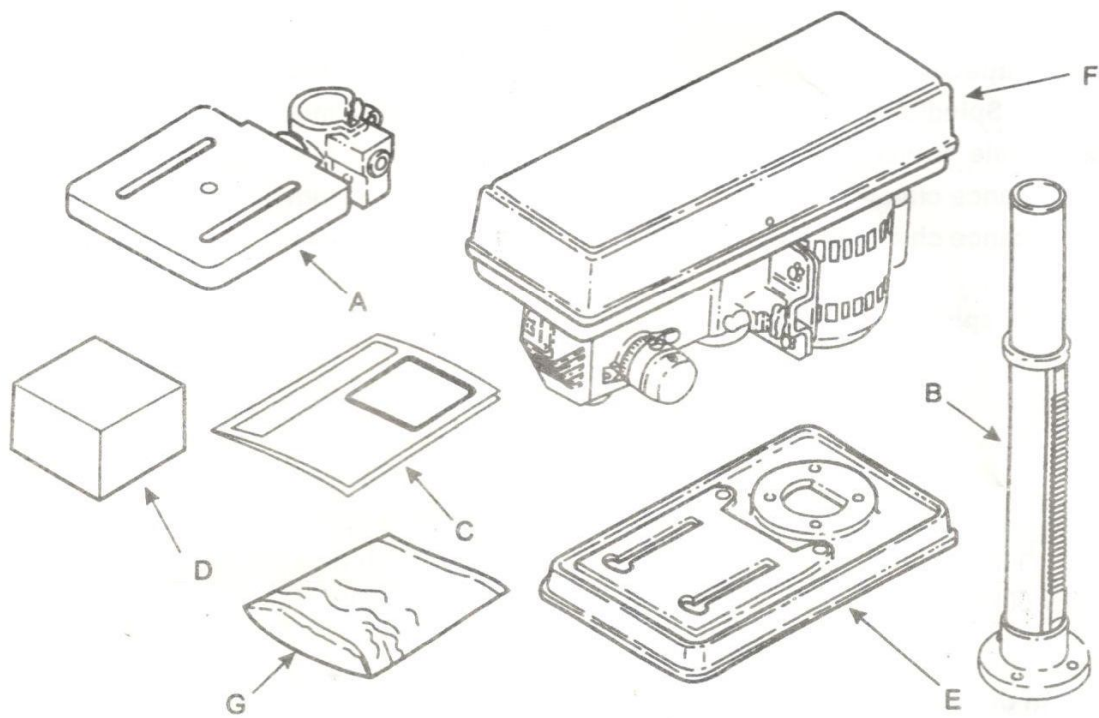


**MODEL**

**DP-160S**



**FOR YOUR SAFETY:**  
**READ ALL INSTRUCTIONS CAREFULLY**



### List of Loose Parts In the Box and Bags



M8x1.25-20  
Hex Head Screw (4)



Support Lock Handle (1)



Table Crank (1)



M4 Hex "L" Wrench (1)



Chuck (1)

Chuck Key (1)



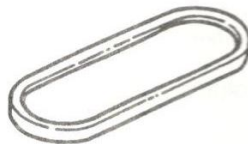
Worm Elevation  
Shaft (1)



M3 Hex "L" Wrench (1)



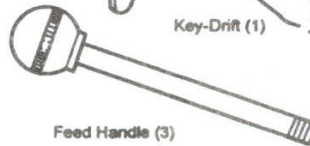
Key-Drift (1)



"V" Belt (2)

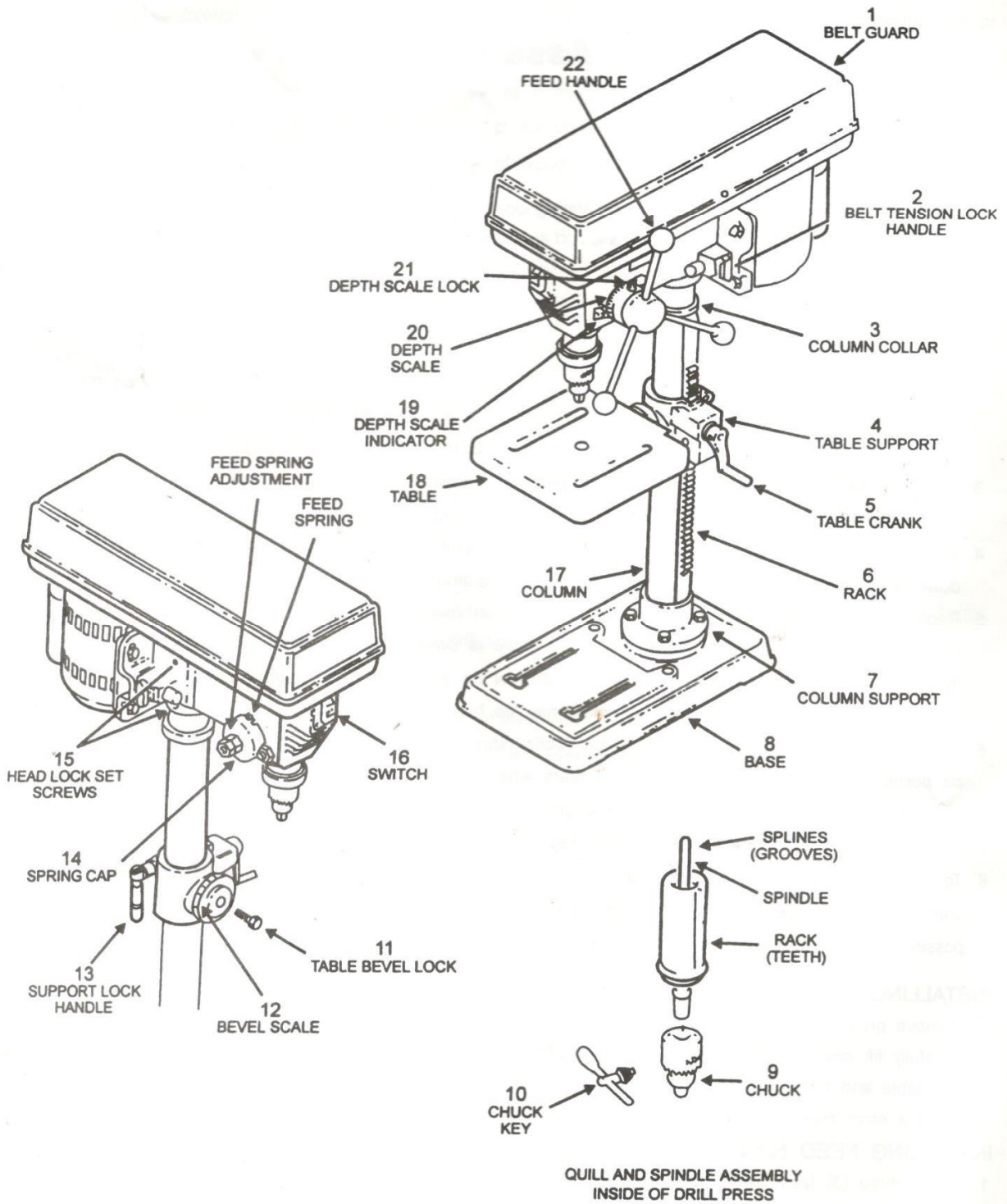


Idler Pulley (1)



Feed Handle (3)

# Getting to Know Your Drill Press



# Repair Parts

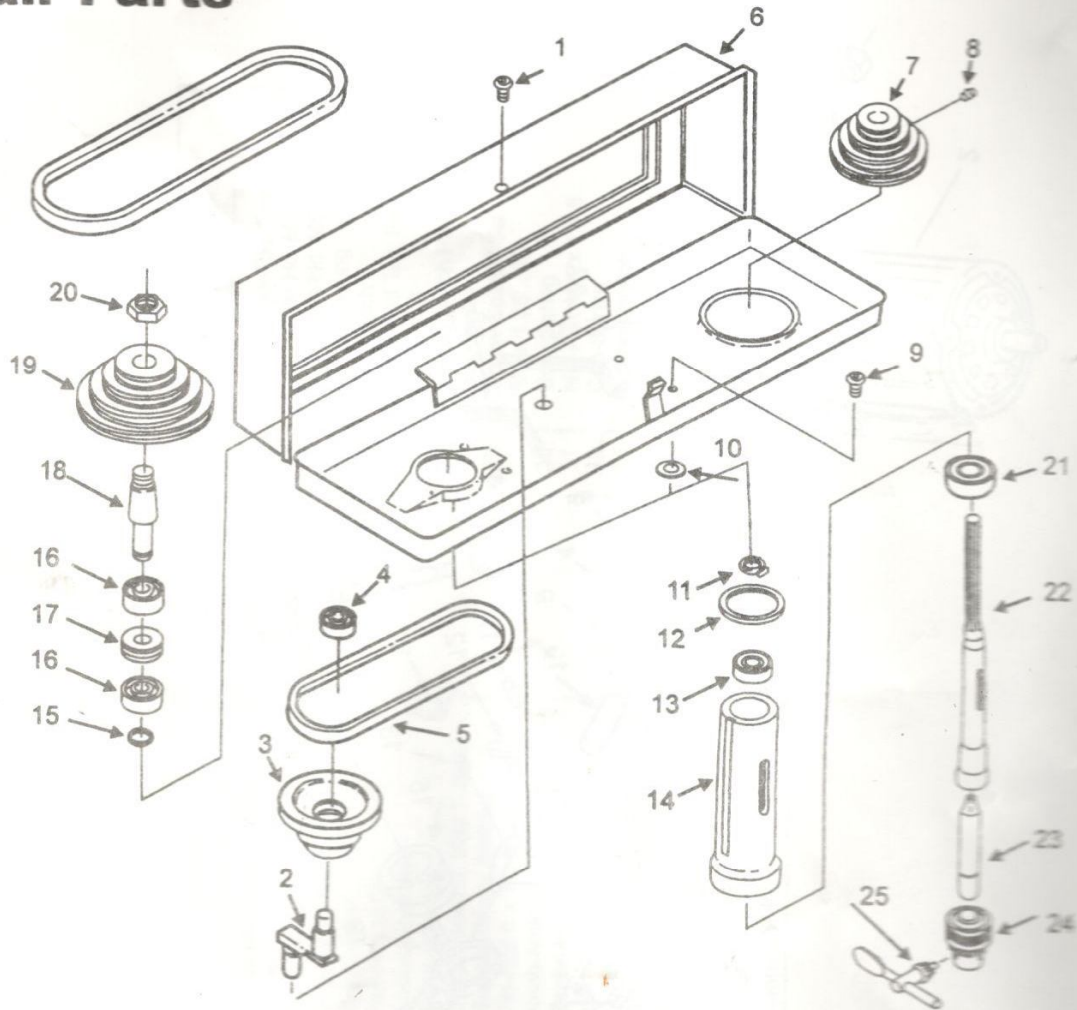


FIGURE 1

Key No.	Description
1	Screw M5
2	Pivot-Idler
3	Pulley-Center
4	Bearing-Ball 15mm 60202
5	Belt V
6	Guard-Pulley W/Lable
7	Pulley-Motor
8	Screw-Hex Soc Set M6x10
9	Screw-Washer Hd M6x12
10	Washer-Foam
11	Ring-Retaining
12	Gasket Quill
13	Bearing-Ball 12mm 60201

Key No.	Description
14	Tube-Quill
15	Ring-Retaining
16	Bearing-Ball 17mm 60203
17	Spacer
18	Insert-Pulley(Includes Key #15&20)
19	Pulley-Spindle
20	Nut-Pulley
21	Bearing-Ball 20mm 60204
22	Spindle
23	Arbor
24	Chuck
25	Key-Chuck

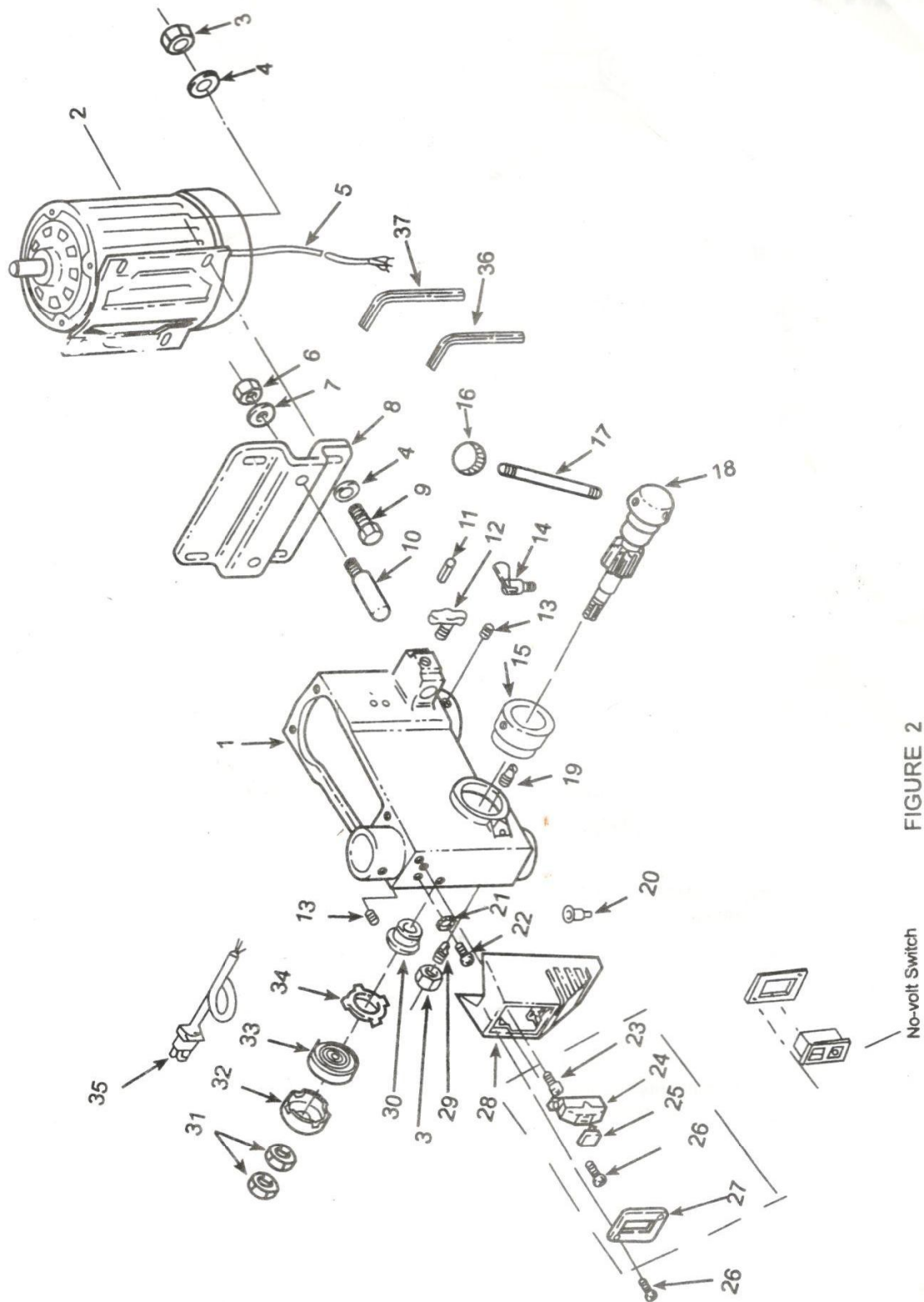


FIGURE 2

Key No	Description
1	Head w/Pointer & Trim
2	Motor
3	Nut-Hex M8
4	Washer 8 x 1.6 x 16
5	Cord-Motor
6	Nut-Hex M10
7	Lockwasher M10
8	Bracket-Motor
9	Screw-Hex Hd. M8x 1.25-20
10	Support-Motor Bracket
11	Pin-Roll 6 x 16
12	Knob-Motor Adjusting
13	Screw-Hex Soc. Set M8 x 1.25-8
14	Lock-Depth Screw
15	Ring-Depth Stop W/Scale
16	Knob
17	Rod
18	Hub-Pinion
19	Pin-Stop
20	Connector-Wire

Key No	Description
21	Lockwasher-Ext. 5mm
22	Screw-Pan Hd. M5 x 0.8-8
23	Screw-Pan Hd. M5 x 0.8-12
24	Switch-Locking
25	Key-Switch
26	Screw-Self Tap. Pan Hd. M4 x 16-8
27	Cover-Switch Plate
28	Box-Switch
29	Screw-Special Set M8 x 1.25 x 18
30	Seat-Spring
31	Nut-Hex M12x 1.5-8
32	Cap-Spring
33	Spring-Torsion
34	Ratainer-Spring
35	Cord-Power

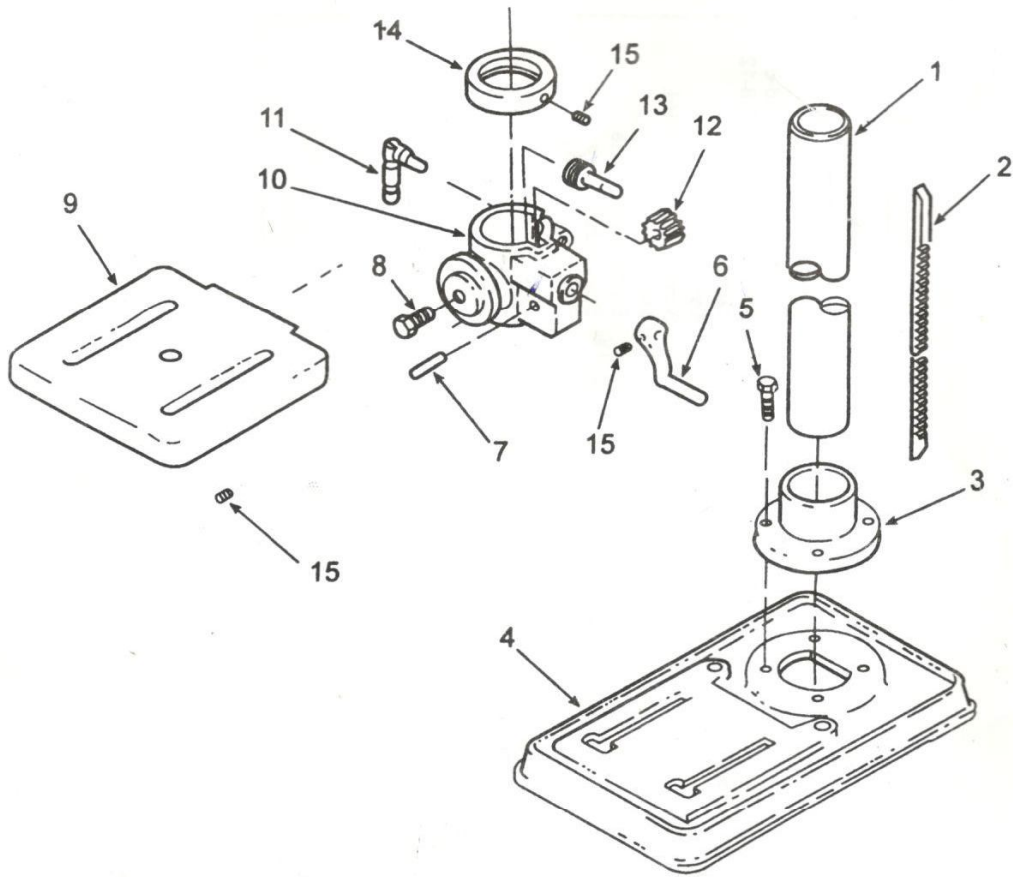


FIGURE 3

Key No	Description
1	Tube-Column
2	Rack
3	Support-Column
4	Base
5	Screw-Hex Hd M8 x 1.25-20
6	Crank
7	Shaft-Gear
8	Screw-Hex Hd M12 x 1.75-22

Key No	Description
9	Table
10	Support-Table w/Scale
11	Clamp-Table
12	Gear-Helical
13	Worm-Elevation
14	Collar-Rack
15	Screw-Hex Soc Set M6x1.0-10