



Submersible Automatic Pumps

A(W)/BEA(W)

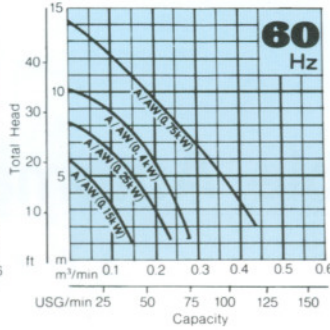
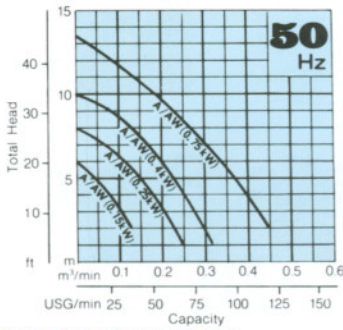
APPLICATIONS

Textile works
Septic tanks
Sewage system
Housing estate
and drainage of any other
water with solid materials

**NO CONTROL PANEL NEEDED FOR
ALTERNATE OPERATION OF AW & BEAW**



PERFORMANCE CURVES

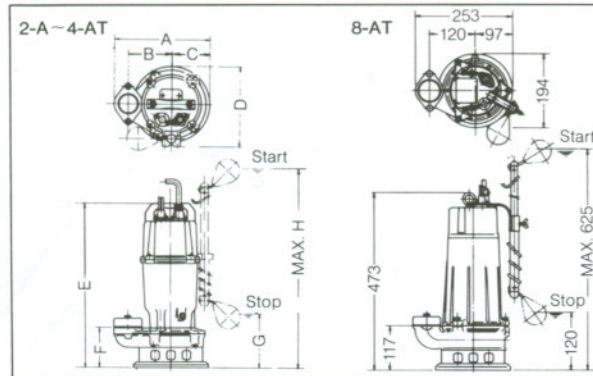


SPECIFICATIONS

Discharge Bore	Hz	Model	Motor Output		Total Head		Capacity		S.S. Revolution r.p.m.	Starting Method	Impeller		Weight
			kW	Hp	m	ft	m ³ /min	USG/min			Passage mm	No. of Vanes	
32	1 1/2	* 2-A(W)	0.15	1/4	4	13	0.08	21.1	3000	Split Phase	12 × 14	2	12.5
		* 2-A(W)	0.15	1/4	4	13	0.08	21.1	3600	Split Phase	12 × 14	2	12.5
40	1 1/2	* 3-A(W)	0.25	1/3	5	16	0.15	39.6	3000	Split Phase	12 × 14	2	14.5
		* 3-A(W)	0.25	1/3	5	16	0.15	39.6	3600	D.O.L.	12 × 14	2	14
50	2	* 3-A(W)	0.25	1/3	5	16	0.15	39.6	3600	Split Phase	12 × 14	2	14.5
		* 3-A(W)	0.25	1/3	5	16	0.15	39.6	3600	D.O.L.	12 × 14	2	14
		* 4-A(W)	0.4	1/2	6	19	0.2	52.8	3000	Capacitor	16 × 20	2	17
		* 4-A(W)	0.4	1/2	6	19	0.2	52.8	3000	D.O.L.	16 × 20	2	16.5
		* 8-A(W)	0.75	1	8	26	0.26	68.6	3000	D.O.L.	22 × 24	2	23
		* 8-A(W)	0.75	1	8	26	0.26	68.6	3600	Capacitor	16 × 20	2	17
50	2	* 4-A(W)	0.4	1/2	6	19	0.2	52.8	3600	D.O.L.	16 × 20	2	16.5
		* 8-A(W)	0.75	1	8	26	0.26	68.6	3600	D.O.L.	22 × 24	2	23

Marking "*" shows single phase motor pump.

DIMENSIONS



TOK

Installation of 2-A(W) - 8-AT(W) with guide rail fitting is available by using TOK (optional)

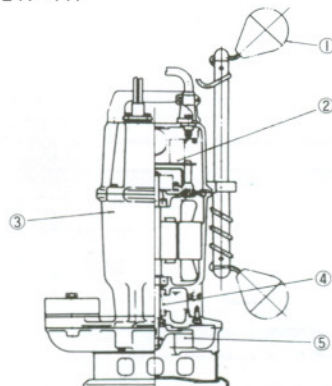
	Material
Guide Support	Ductile Iron Casting
Guide Hook	Gray Iron Casting
Lifting Chain Assembly	Chain & Rings (4m/13ft)
	Shackles
Duck Foot Bend	Gray Iron Casting
	Anchor Bolts

Unit:mm

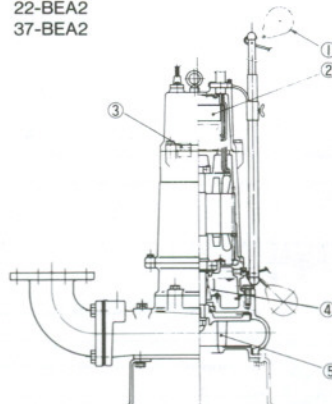
Model	A	B	C	D	E	F	G	H
2-A	222	105	80	186	394	90	110	500
3-A	222	105	80	186	394	90	110	500
4-A	243	110	97	205	425	100	130	550
8-AT	243	110	97	205	425	100	130	550

CONSTRUCTION

2-A-4-A



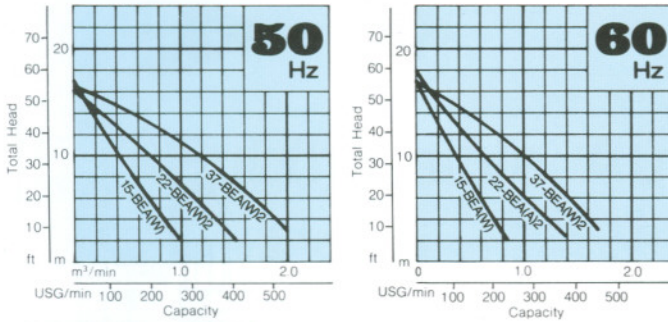
22-BEA2
37-BEA2



- 1 Easily adjustable start/stop levels.
- 2 Level-control relay operates on AC 24V-safety low voltage.
- 3 Built in thermal overload protector, the motor is protected against overload and overheat.
- 4 Mechanical seal, made of Silicon Carbide(SiC) superior to Tungsten Carbide in anti-corrosion and anti-abrasion, guarantees the pump to be long life.
- 5 Impeller of non-clogging design. Made of gray iron casting, statically and dynamically balanced.

BEA/BEAW

PERFORMANCE CURVES



CABTYRE CABLES(D.O.L)

Motor Output kW	200-240V		346-525V		Material	Length m
	Cores × mm ²	Dia mm	Cores × mm ²	Dia mm		
1.5	4 × 1.25	11.1	4 × 1.25	11.1	PVC Sheath	6
2.2	4 × 2	11.8	4 × 2	11.8	PVC Sheath	6
3.7	4 × 3.5	13.9	4 × 2	11.8	PVC Sheath	6

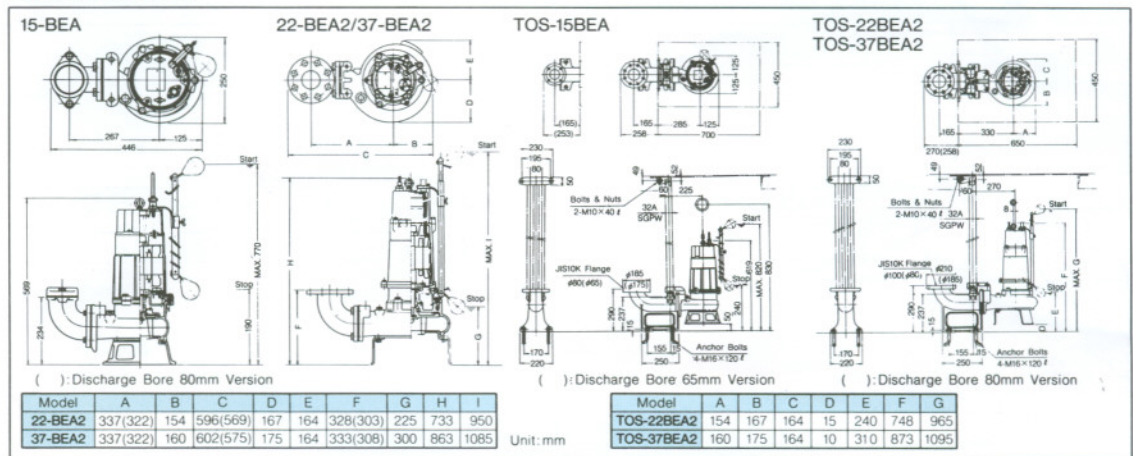
STANDARD ACCESSORIES (TOS-Model)

	Material
Guide Support (Weight 2kg)	Ductile Iron Casting
Lifting Chain Assembly	Chain & Rings(5m/16ft)
	Shackles
Duck Foot Bend Weight: (80mm)23kg,(100mm)31kg	Gray Iron Casting

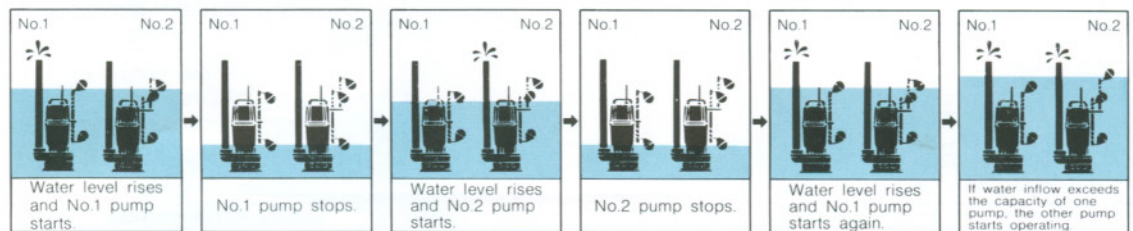
SPECIFICATIONS

Discharge Bore	mm	inch	Hz	Model		Motor Output		Total Head		Capacity		S.S. Revolution r.p.m	Starting Method	Impeller		Weight	
				Free Standing	Guide Rail Fitting	kW	Hp	m	ft	m ³ /min	USG/min			Passage mm	No. of Vanes	Free Standing	TOS-Model
80 (65)	3 (2 1/4)		50	15-BEA(W)	TOS-15BEA(W)	1.5	2	8	26	0.55	145	3000	D.O.L	47 × 40	1	39	40
			60	15-BEA(W)	TOS-15BEA(W)	1.5	2	8	26	0.5	132	3600	D.O.L	47 × 35	1	39	40
100 (80)	4 (3)		50	22-BEA(W)2	TOS-22BEA(W)2	2.2	3	10	32	0.6	158	1500	D.O.L	45 × 52	1	78	71
				37-BEA(W)2	TOS-37BEA(W)2	3.7	5	11	36	1.0	264	1500	D.O.L	55 × 50	1	94	87
			60	22-BEA(W)2	TOS-22BEA(W)2	2.2	3	10	32	0.6	158	1800	D.O.L	45 × 45	1	78	71
				37-BEA(W)2	TOS-37BEA(W)2	3.7	5	10	32	1.0	264	1800	D.O.L	55 × 45	1	94	87

DIMENSIONS



Automatic Alternate Operation by the A(T)W, BEAW series



Pump No.2 is equipped with an alternate operation relay which allows it to operate only on every second cycle of water increase. Therefore, by adjusting the position of the floats, automatic operation can be obtained without the necessity of a control panel or any additional electrical wiring. The pumps are merely installed, and then plugged in separately. The performance of both No.1 and No.2 pumps is the same as that of the ordinary A, BEA series pumps.

