

# Load Chain Maker Developed New Age Highest Grade



MADE IN JAPAN

# Manual Chain Block C-21

Load chain B39 VHC  
Strongest ever than before

C-21 is equipped with new developed load chain  
Grade +V (plus V) 105kgf/mm<sup>2</sup>.

**Safety factor 5 times**

Load chain, hooks, braking parts  
have 5 times safety factor.  
(0.5t~1t)

Model	Safety working load	Load chain Min. breaking load	Safety factor
C21-0.5	0.5t	3.0t	6.0
C21-1	1 t	5.2t	5.2
C21-1.5	1.5t	7.0t	4.7
C21-2	2 t	9.3t	4.7
C21-3	3 t	14.0t	4.7
C21-5	5 t	27.9t	5.6

※Test method of Min. breaking load is  
accordance with DIN5684.

※Before surface treatment

※This product must be used  
under safety working load.

**Stronger hooks and safety latch**

Tip-supporting safety latch  
brings easy handling.

*Safety latch and  
unique hook shape*



**Stronger case-hardened  
load chain B39 VHC brings  
light and durable  
chain block,  
saves resources,  
reduces CO<sub>2</sub>**



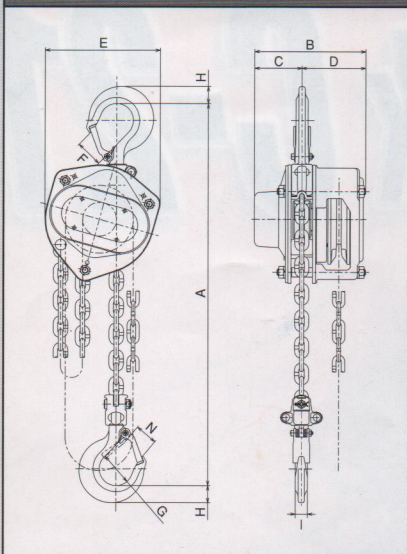
## ELEPHANT

Specialized manufacturer of highest grade hoist chain

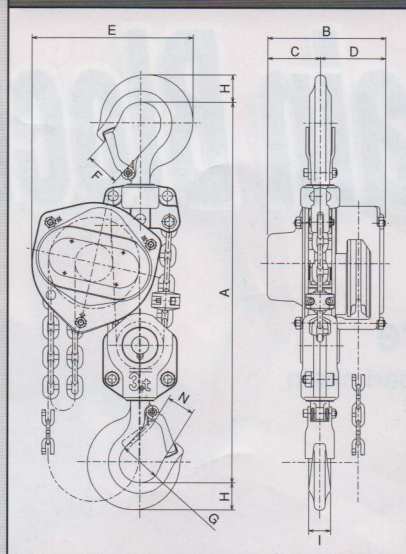
B39 VH, VHC H39 DAT

# C21 type

## Type C21-0.5~C21-2



## Type C21-3 · C21-5



Drop forged, properly normalized hooks.

Tough framing.

Strong, least corrosive.

Electrostatic powder painting.

Safe, dry, long-lasting friction disc.

Free from oil permeation.

Very light and compact body, (9.2kg 1ton).

Easy to carry.

Elephant's original long-life chain.

Best wear resistance on record for manual hoist.

## SPECIFICATIONS

Model	Safety working load (ton)	Standard lift (m)	Test load (ton)	Min. distance between hooks(A) (mm)	Hand effort to lift full working load (kgf)	Load chain		Hand chain	Net weight (kg)
						no. of falls	dia. × pitch (mm)	dia. × pitch (mm)	
C21-0.5	0.5	2.5	150% × safety working load	275	26	1	4.3 × 12	4.5 × 23.0	6.1
C21-1	1	2.5		310	32		5.6 × 17		9.2
C21-1.5	1.5	2.5		340	33		6.5 × 19		11.7
C21-2	2	3		384	33		7.5 × 21		16.7
C21-3	3	3		480	38	2	6.5 × 19		19.4
C21-5	5	3		555	34	3	7.5 × 21		33.9

## DIMENSIONS (mm)

Model	A	B	C	D	E	F	G	H	I	N
C21-0.5	275	131	54	77	121	30	36	17	13	24
C21-1	310	143	61	82	148	34	43	22	16	29
C21-1.5	340	152	68	84	168	36	43	26	21	29
C21-2	384	164	75	89	193	42	53	29	22	34
C21-3	480	152	68	84	209	44	53	35	28	36
C21-5	555	164	75	89	297	58	70	46	34	47

**WARNING :** Elephant's original long-life chain must be used for this hoist.

All specifications herein are subject to change without notice.



**ELEPHANT CHAIN BLOCK CO.,LTD.**

180, Iwamuro 2-chome, Osaka-sayama city, Osaka, 589-8502, Japan

E-mail : elp\_trade@elephant.co.jp

URL <http://www.elephant.co.jp/english/index.html>